

Home of Sansabelt Pants



Quality Tailored Clothing at
Discounted Prices Since 1956

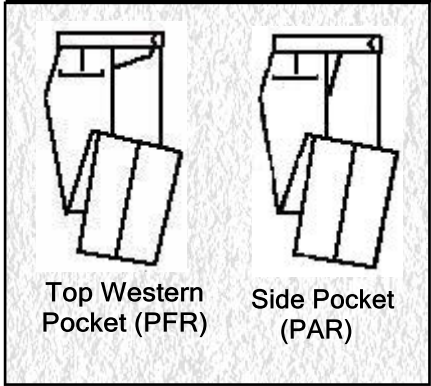
www.beltlesspants.com

www.milbern.com

Order Toll Free
Toll Free 1-866-524-8389

Free Hemming
Free Shipping w/ 2 pair purchase

Gabardine Twill



Top Western Pocket (PFR)

Side Pocket (PAR)

Reg.65.00

Our Price \$49.95

- Top or Side Pocket Models
- Famous Comfort Waistband
- Wrinkle Resistant
- Washable
- Easy Care and Fit
- 100% Polyester

[Order Now](#)



Consistently one of our best selling pants we offer. The Gabardine Twill provides year around comfort, easy care, resist wrinkles and is machine washable.

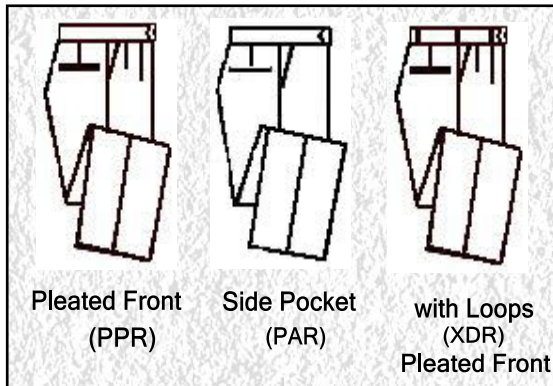
SIZE	30	31	32	33	34	35	36	37	38	40	42	44	46	48	50	52	54	56	58	60	62	64	66	68	70	
REG	•	•	•	•	•	•	•	•	•	•	•	•	•	•	•	•	•	•	•	•	•	•	•	•	•	•
LONG																										
SH ORT			•		•		•		•	•	•															

 SIDE POCKET MODEL (PAR)

 EXTENDED SIZE
OUR PRICE \$55.95

 BIG EXTENDED SIZES
OUR PRICE \$65.95

Four Seasons (52 Cloth)



Pleated Front (PPR)

Side Pocket (PAR)

with Loops (XDR)
Pleated Front

Reg.85.00

Our Price \$59.95

The Perfect Year Around pant

- 65 % Polyester / 35% wool
- Side Pocket Model
- Plain Front or Pleated
- Famous Comfort Waistband
- Wrinkle Resistant
- Washable Easy Care and Fit

[Order Now](#)



This very popular pant offers a light weight blend of polyester and wool that provides comfort in any climate. High performance “bounce recovery” resist wrinkles.

SIZE	32	33	34	35	36	37	38	40	42	44	46	48	50	52	54	56	58	60
REG	•	•	•	•	•	•	•	•	•	•	•	•	•	•	•	•	•	•
LONG																		
SHORT	•		•		•		•	•	•									

 SIDE POCKET MODEL (JPARG)

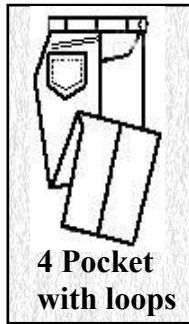
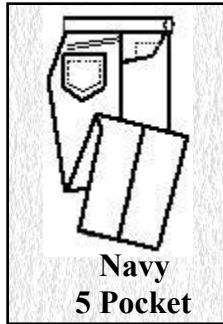
 EXTENDED SIZE
OUR PRICE \$65.95

SIZE	32	33	34	35	36	37	38	40	42	44
REG	•	•	•	•	•	•	•	•	•	•
LONG										

PLEATED FRONT WITH LOOPS (XDR)

(LOOPS CAN BE ADDED TO OTHER SIZES FOR \$5.00 PER PAIR)

Denim Jeans



Reg.65.00

Our Price \$49.95

- Pre-Washed Denim
- Dress Pant Fit
- Machine Washable
- Cotton Blend

[Order Now](#)



SIZE	3	3	3	3	3	3	3	4	4	4	4	4	5	5	5	5	5	6
	2	3	4	5	6	7	8	0	2	4	6	8	0	2	4	6	8	0
REG	•	•	•	•	•	•	•	•	•	•	•	•	•	•	•	•	•	•
LONG					•		•	•	•	•	•	•	•					

(PRR) Navy size scale
5 Pocket Model
73% Cotton / 27% Polyester
Regular Weight

SIZE	3	3	3	3	3	3	3	4	4	4	4	4	5	5	5	5	5	6
	2	3	4	5	6	7	8	0	2	4	6	8	0	2	4	6	8	0
REG	•	•	•	•	•	•	•	•	•	•	•	•	•	•	•	•	•	•

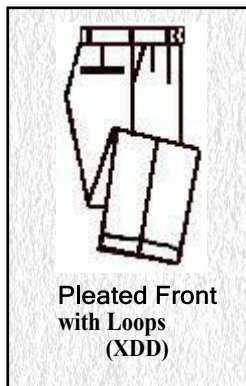
(PQR) Charcoal - Tan Light Blue size scale
4 Pocket Model with belt loops
55% Cotton / 45% Polyester
New Light Weight Fabric

EXTENDED SIZE
OUR PRICE \$55.95

100 % Wool Gabardine

Reg 115.00

Our Price \$89.95



The best pant Sansabelt has to offer

- 100% Super 100% Worsted Wool Gabardine
- Double Reverse Pleates
- 1/8 Top Pocket
- Famous Comfort Waistband
- Belt Loops
- Lined to Knee

[Order Now](#)



SIZE	3	3	3	3	3	3	3	4	4	4	4	4	5	5	5	5	5	6
	2	3	4	5	6	7	8	0	2	4	6	8	0	2	4	6	8	0
REG	•	•	•	•	•	•	•	•	•	•	•	•	•	•	•	•	•	•
LONG								•	•	•	•	•	•	•				

EXTENDED SIZE
OUR PRICE \$95.95



Sansabelt Pant World

1685 University Ave

St Paul , MN 55104

Toll Free: 866-524-8389

Fax: 651-645-2922

www.beltlesspants.com

www.milbern.com

Fabric swatches of colors are available upon request.

Beltloops or Suspender buttons can be added
to any pant for \$5.00 / pr

30 day return policy on unaltered pants
(hemming and beltloops are considered alterations)

Free Hemming

Free Shipping w/ 2 pair purchase